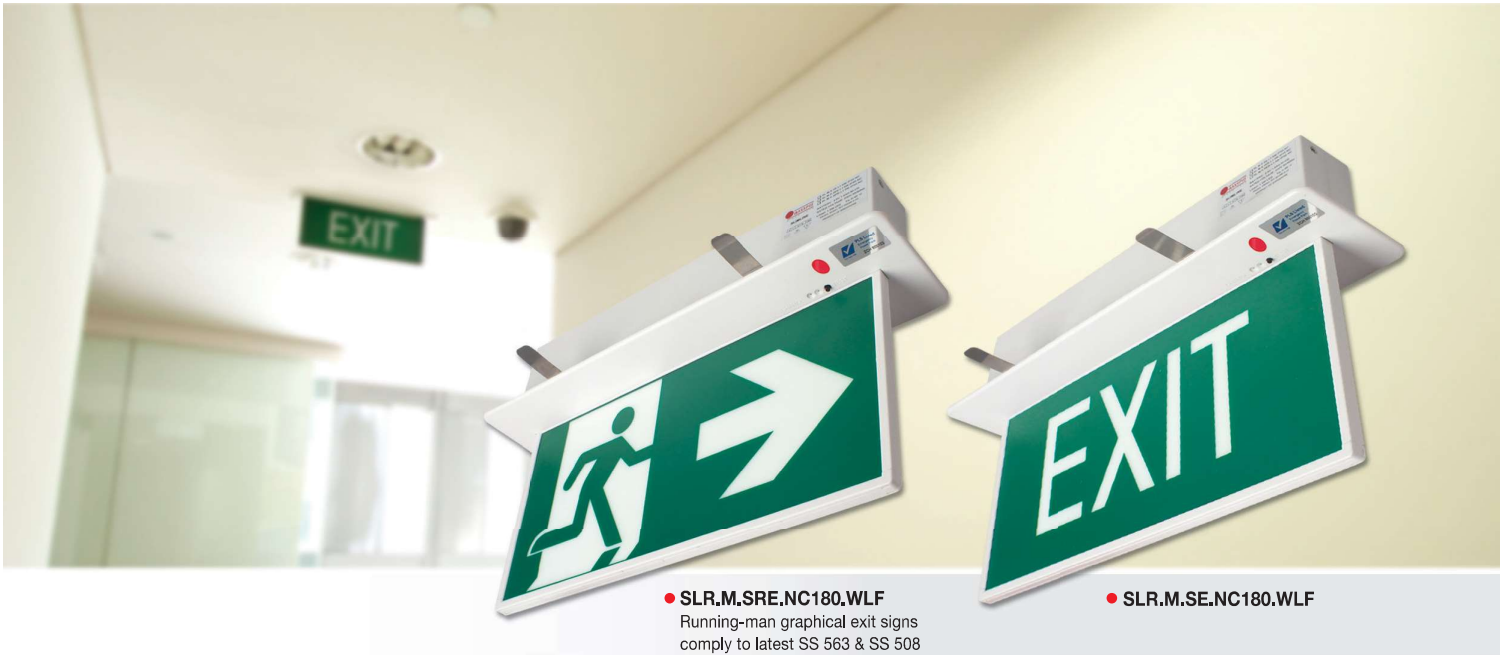


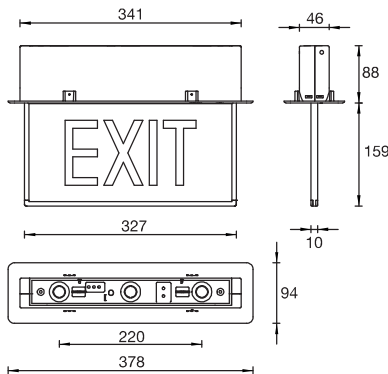
SMT LED with lifespan 50,000 burning hours
SMT LED recess mount emergency exit light

EMERGENCY EXIT LIGHTS SLIMLINE



● **SLR.M.SRE.NC180.WLF**
Running-man graphical exit signs
comply to latest SS 563 & SS 508

● **SLR.M.SE.NC180.WLF**



Dimension: mm NTS

TECHNICAL DATA

Mode of Operation	: Maintained
Lamp	: 1.5W SMT LED
Rated Duration	: 3 hrs and others
Mains Supply	: 230 Volts, 50/60Hz
Power Consumption	: < 3W
Battery	: High temp Nickel Cadmium/Lithium
Charge Monitor	: Green LED (normal) / Red LED (error)
Test Facility	: Tactile switch
Safety Feature	: Low volt cut-off preventing battery overdischarge
Fitting Construction	: Injection moulded fire retardant acrylonitrile butadiene styrene (ABS)
Diffuser	: Fire retardant moulded acrylic
Mounting	: Wall or ceiling
Cable Entry	: Ø20mm K/O hole
Weight	: 1.0kg (gross)
Compliance	: SS 563 : Part 1 & 2, SS IEC 60598-2-22
Warranty	: 1 year

KEY FEATURES

- > Using Surface Mount Technology LED
- > High Durability & Reliability
- > Low Heat
- > Low Maintenance
- > Low Power Consumption
- > No "Black Ends"
- > Self Testing Function
- > Malfunction Indicator
- > Versatile & User Customisable

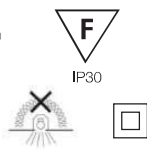


Type and batch tested with
PSB PLS-LISTED LABEL



350 x 80mm

Recess Mount
Internal Lit
LED Slim Exit Sign



ORDERING GUIDE (Please check with Sales Dept if customisation is required)

Single Sided	Double Sided	Legend
SLR.M.SE.NC180.WLF	SLR.M.DE.NC180.WLF	
SLR.M.SEE.NC180.WLF	SLR.M.DEE.NC180.WLF	
SLR.M.SEW.NC180.WLF	SLR.M.DEE.NC180.WLF	
SLR.M.SR.NC180.WLF	SLR.M.DR.NC180.WLF	
SLR.M.SRE.NC180.WLF	SLR.M.DRE.NC180.WLF	
SLR.M.SRW.NC180.WLF	SLR.M.DRE.NC180.WLF	
SLR.M.SRS.NC180.WLF		
SLR.M.SRN.NC180.WLF		