

LED H2835/5050

Double-row high voltage, high output LED strip lights



APPLICATIONS

- Cove lighting
- Cornice lighting
- Corridors
- Patios
- Pergolas

TECHNICAL DETAILS

- Choice of SMD 2835 or 5050 LEDs
- Rated life: 30,000 hours

CONSTRUCTION

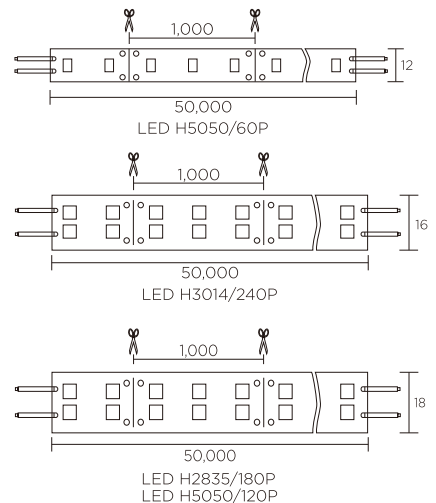
- Flame retardant PVC sleeve
- 50 meters per roll (one IP20 driver included)

NOTES

- No more than 35 meters for one LED driver

OPTIONS

- **Colour:** Choice of white (2700K, 3000K, 4000K or 6500K) or RGB



Model	Colour temp.	Lumens/m	Watts/m	CRI
LED H5050/60P	2700K/3000K/ 4000K/6500K	550lm	9W	>60
LED H5050/60P	R/G/B/Y	—	9W	>60
LED H3014/240P	2700K/3000K/ 4000K/6500K	650lm	9W	>60
LED H2835/180P	2700K/3000K/ 4000K/6500K	600lm	9W	>60
LED H5050/120P	2700K/3000K/ 4000K/6500K	700lm	12W	>60

