

# NFDLED901

Professional stadium flood lights



### APPLICATIONS

- Sports facilities
- Area lighting
- Billboards

### TECHNICAL DETAILS

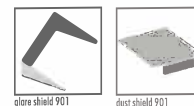
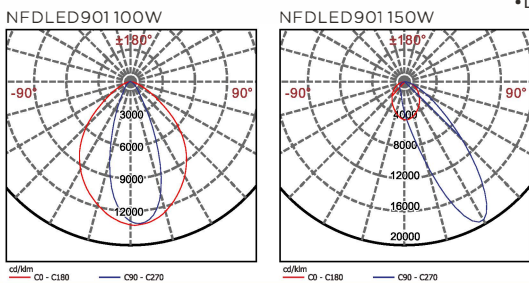
- Nichia SMD3030 LEDs
- Rated life: 50,000 hours

### CONSTRUCTION

- Die-casting aluminium housing, pre-treated for corrosion resistance
- PC lens
- LEDs on metal core PCB
- Weight and windage:
  - 75W, 100W and 150W, 4.3kg, 0.12m<sup>2</sup>
  - 200W and 240W, 6.4kg, 0.16m<sup>2</sup>
- Choice of 3 finishes:
  - Black (similar to RAL 7021)
  - Dark grey (similar to RAL 7037)
  - Light grey (similar to RAL 7023)

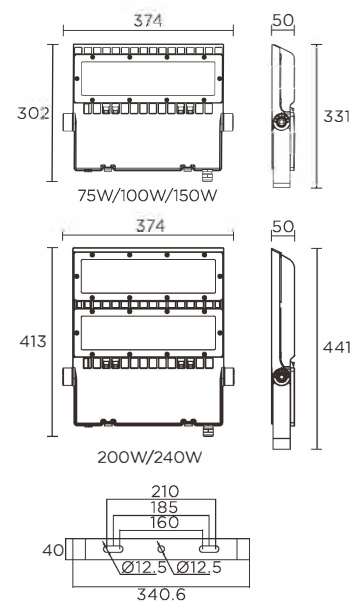
### OPTIONS

- Optional NEMA socket
- Optional anti-glare shield to be ordered as a separate item
- Optional anti-dust shield to be ordered as a separate item
- **Dimming:** Fixed output as standard, digital dimming available with seven pin NEMA socket and sensor
- **Version:** Choice of the standard version or dusk-down photocell version



Model	Watts	Colour temp.	Lumens	CRI	PF
NFDLED901 75W	75W	3000K/4000K/5000K	9,750 lm	>70	>0.9
NFDLED901 100W	100W	3000K/4000K/5000K	13,000 lm	>70	>0.9
NFDLED901 150W	150W	3000K/4000K/5000K	19,500 lm	>70	>0.9
NFDLED901 200W	200W	3000K/4000K/5000K	26,000 lm	>70	>0.9
NFDLED901 240W	240W	3000K/4000K/5000K	31,200 lm	>70	>0.9

Accessories
glare shield 901
dust shield 901



# Structure and details

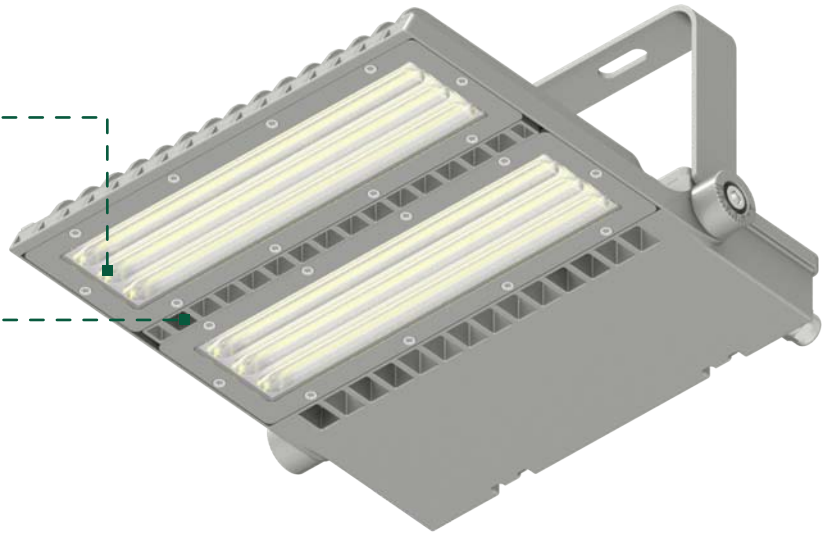
**Precise light control**

A range of three different lenses is available to give exactly the light distribution that is required.

**Good thermal management for longer life span**

With the LED chips and driver being engineered with ventilation gaps in between them, the luminaire is kept cool, promoting a longer life span.

**Tool-free access with stainless steel clips on the driver cover**



**Optional NEMA socket three or seven pin**

**Easy adjustment**

Accurate aiming is made easy with the provision of graduated markings at the end of the mounting bracket.

**Waterproof**

Supplied with a stainless steel IP65 cable gland fitted, and pre-wired with 3x1.0mm<sup>2</sup> H05RN wire.

**Breather valve**

This prevents an excessive pressure difference building up which can compromise the IP rating. It also prevents the accumulation of moisture through condensation.

**Glare shield**

The optional anti-glare shield means this product can be used in residential areas without causing complaints about glare.

**Dust shield**

Rear cover for protection against the build-up of dust and dirt helps maintain good thermal performance.

