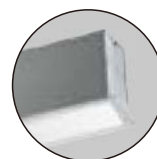


NLILED495

A range of very adaptable linear fittings with some advanced features



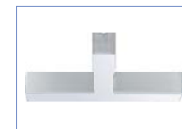
NLILED495AM1200



NLILED495A1200



Shaped L



Shaped T



Shaped Y



Shaped X



APPLICATIONS

- Offices and corridors
- Shops and shopping malls

OPTIONS

- **Width:** 30mm, 60mm & 80mm available
- **Suspended or recessed installation:** For suspended installation, use suffix M
- **Straight sections or shaped modules:**
 - **Straight sections:** one length (1200mm)
 - **Shaped modules:** Four shapes (L, T, Y, X)
- See drawings for dimensions

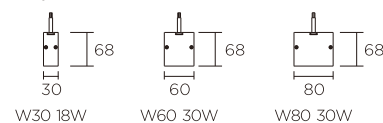
CONSTRUCTION

- Extruded aluminium housing with anodised finish
- Matt silver-grey
- Opal PC diffuser
- Constant current driver included in each module, no through-wiring required
- **Suspended variants** supplied complete with 1.0m long wire
- **Recessed variants** supplied complete with mounting clips

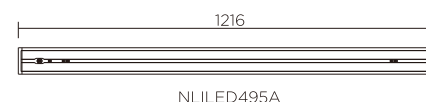
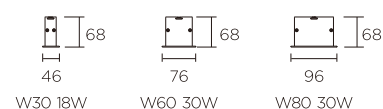
TECHNICAL DETAILS

- SMD LEDs
- Rated life: 25,000 hours

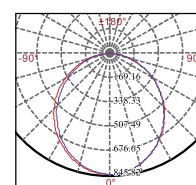
• Suspended



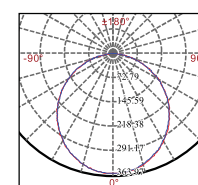
• Recessed



Model	Colour temp.	Lumens	CRI	PF
Suspended				
NLILED495AM1200 W30 18W	3000K/4000K/5700K	1,224 lm	>80	>0.95
NLILED495AM1200 W60 30W	3000K/4000K/5700K	2,250 lm	>80	>0.95
NLILED495AM1200 W80 30W	3000K/4000K/5700K	2,400 lm	>80	>0.95
Recessed				
NLILED495A1200 W30 18W	3000K/4000K/5700K	1,224 lm	>80	>0.95
NLILED495A1200 W60 30W	3000K/4000K/5700K	2,250 lm	>80	>0.95
NLILED495A1200 W80 30W	3000K/4000K/5700K	2,400 lm	>80	>0.95
Shaped modules				
Suspended				
NLILED495LM/TM/YM/XM W30 9W	3000K/4000K/5700K	612 lm	>80	>0.8
NLILED495LM/TM/YM/XM W60 15W	3000K/4000K/5700K	1,125 lm	>80	>0.85
NLILED495LM/TM/YM/XM W80 15W	3000K/4000K/5700K	1,200 lm	>80	>0.85
Recessed				
NLILED495L/T/Y/X W30 9W	3000K/4000K/5700K	612 lm	>80	>0.8
NLILED495L/T/Y/X W60 15W	3000K/4000K/5700K	1,125 lm	>80	>0.85
NLILED495L/T/Y/X W80 15W	3000K/4000K/5700K	1,200 lm	>80	>0.85



NLILED495A 30W 120°



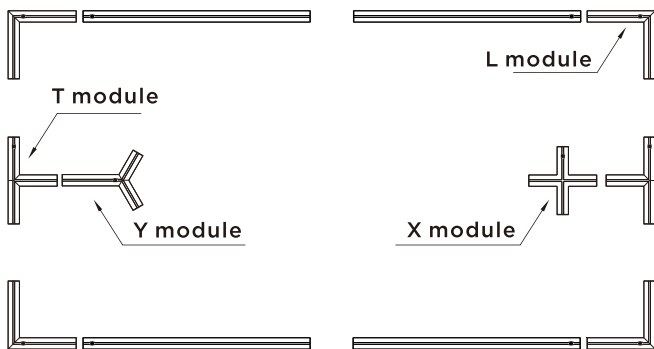
NLILED495L 15W 120°

Structure and details



Light Uniformity

Shadows and dark spots at the joint between sections are a problem with some rival products, but with the NLILED495 there are no dark spots at all – just a continuous line of uniform light.



Design flexibility

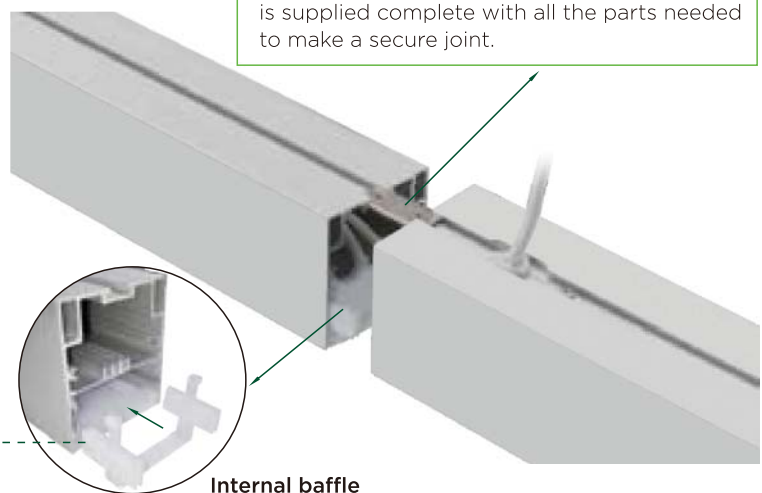
With the simple construction and choice of modules, NLILED495 can be assembled on-site in many different ways to create a wide range of shapes and effects as required.

Simple connection

Each straight section and shaped module is supplied complete with all the parts needed to make a secure joint.

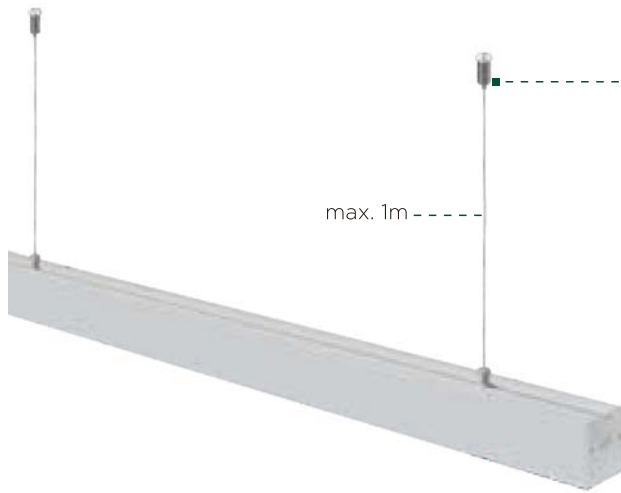
No light leakage

Light bleed is a problem on similar rival fittings, but on NVC NLILED495 this problem is eliminated with an internal baffle overlapping the joints between sections.



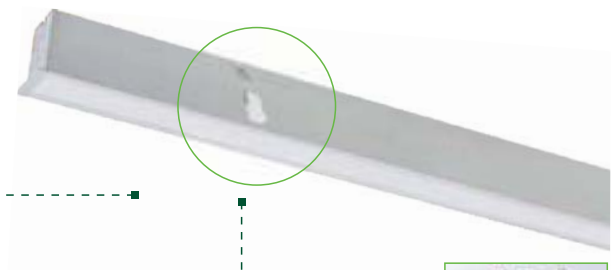
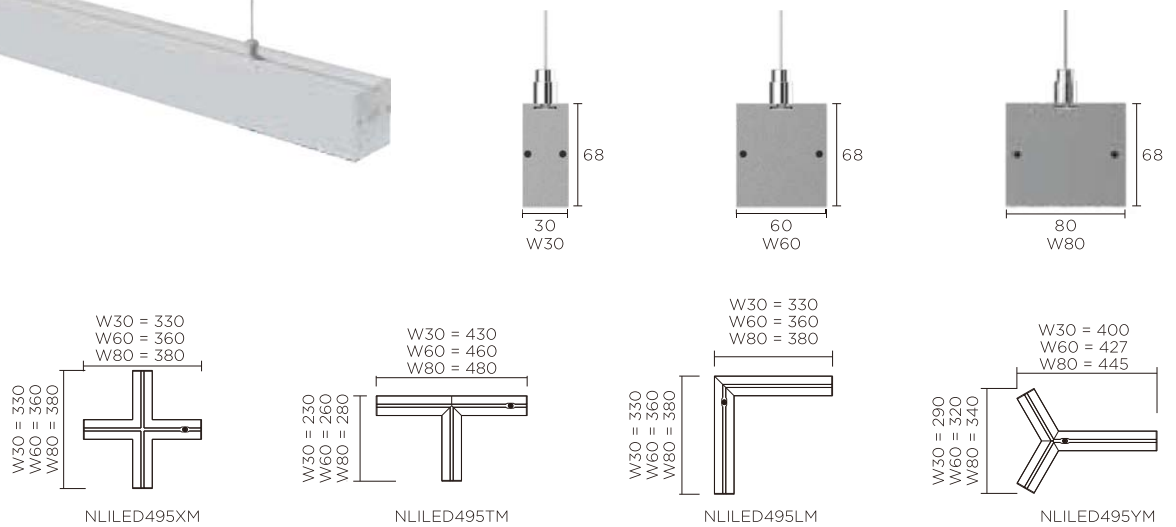
Internal baffle

Mounting options



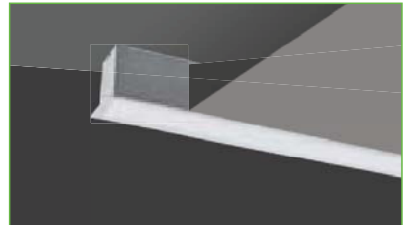
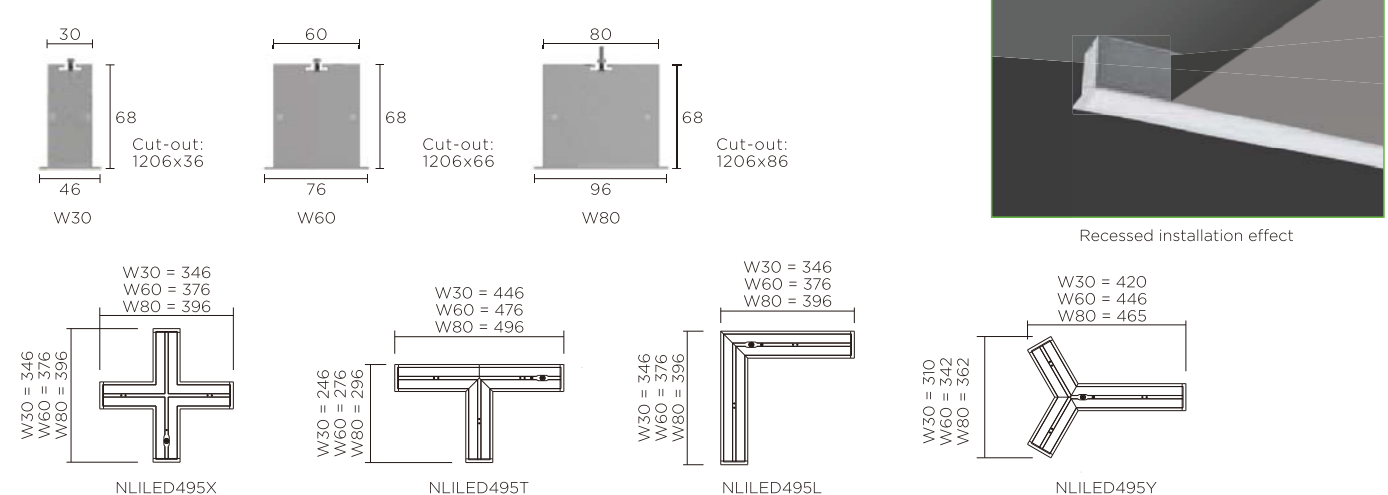
Suspended installation
 Suitable for offices and other spaces with high ceilings. A wire suspension kit (max length 1.0m) is supplied with each module.

Suspended Dimensions



Recessed installation
 Suitable for installation in plaster board ceilings. Each module is supplied complete with recessed mounting clips.

Recessed Dimensions



Notes: For cutout of variants as above, please contact local distributors for details.