

# NTLED318N

## COB LED track lights



**CRI 90**



### APPLICATIONS

- Fashion shops
- Supermarkets
- Retail stores
- Food display areas

### TECHNICAL DETAILS

- COB LED
- Rated life: 30,000 hours

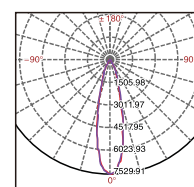
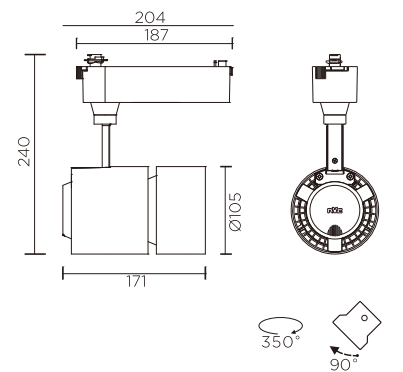
### CONSTRUCTION

- Die-cast aluminium housing and heat sink
- Adjustable angle: horizontal 350°, vertical 90°
- Aluminium driver housing
- Powder coated finish
- Built-in constant current driver included
- For single circuit NVC track

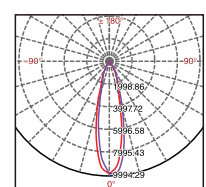
### OPTIONS

- **Colour:** Choice of black or semi white
- **Beam angle:** Choice of 15°, 24° or 40°
- NVC track and accessories, see page 84 and 85

Model	Colour temp.	Lumens	CRI	PF	Beam angle
NTLED318N 35W	3000K/4000K	2,100 lm	>90	>0.95	15°/24°/40°
NTLED318N 50W	3000K/4000K	3,100 lm	>90	>0.95	15°/24°/40°
<b>High output</b>					
NTLED318N 33W	3000K/4000K	2,970 lm	>80	>0.95	15°/24°/40°
	3000K/4000K	2,640 lm	>90	>0.95	15°/24°/40°
NTLED318N 45W	3000K/4000K	4,050 lm	>80	>0.95	15°/24°/40°
	3000K/4000K	3,600 lm	>90	>0.95	15°/24°/40°



NLED318N 35W 24°



NLED318N 50W 24°