

LED QR11D/QR11E

LED lamps to replace traditional QR111 lamps with a G53 base



QR11D



QR11E



APPLICATIONS

- For use in fittings designed for QR111 lamps with a G53 lampholder

OPTIONS

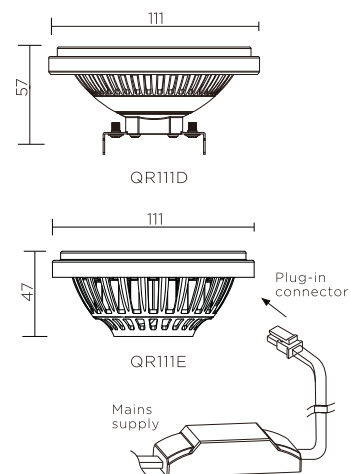
- **Dimming:** Fixed output as standard, but mains dimmable versions are available for use with suitable phase-cutting dimmers. If required, add suffix MD when ordering

TECHNICAL DETAILS

- High power LEDs
- Available in two versions:
 - QR111E, with separate driver for 220-240V power supply
 - 20W non-dimmable
 - 20W dimmable
 - QR111D, with integral driver and G53 base
 - 12W non-dimmable
 - 15W dimmable
- Rated life: 25,000 hours

CONSTRUCTION

- Die-cast aluminium housing
- Anodized surface treatment
- PC lens
- Dimmable version complete with dimmable driver



Model	Colour temp.	Lumens	Input	Dimmable	CRI	PF
LED QR11D 15W	3000K/4000K/6000K	950 lm	AC/DC12V	NO	>80	>0.9
LED QR11D DIM 12W	3000K/4000K/6000K	850 lm	AC/DC12V	YES	>80	>0.9
LED QR11E 20W	3000K/4000K/5700K	1,300 lm	220-240V	NO	>80	>0.9
LED QR11E DIM 20W	3000K/4000K/5700K	1,300 lm	220-240V	YES	>80	>0.9

